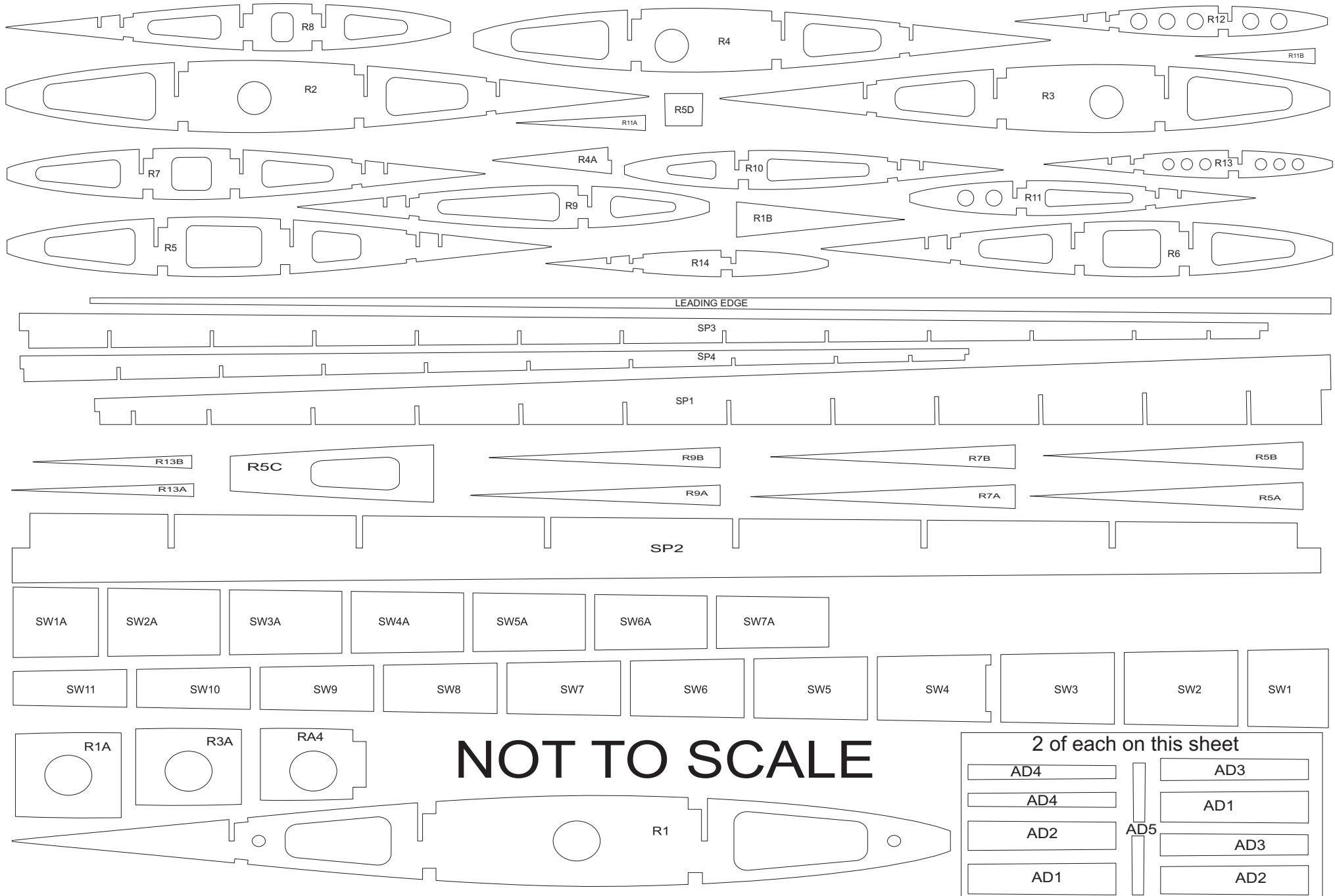


Lightning Built Up Wing Parts sheet layout

Designed by Dave Snow (rcparts@att.net)

Sold by www.eurekaaircraft.com

2 of each part included.

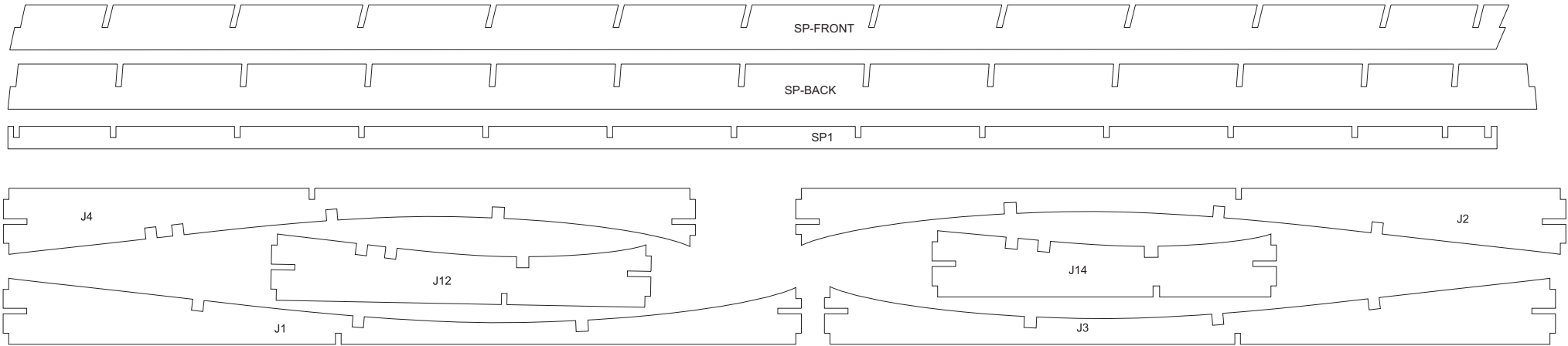


Lightning Built Up Wing Jig Parts sheet layout

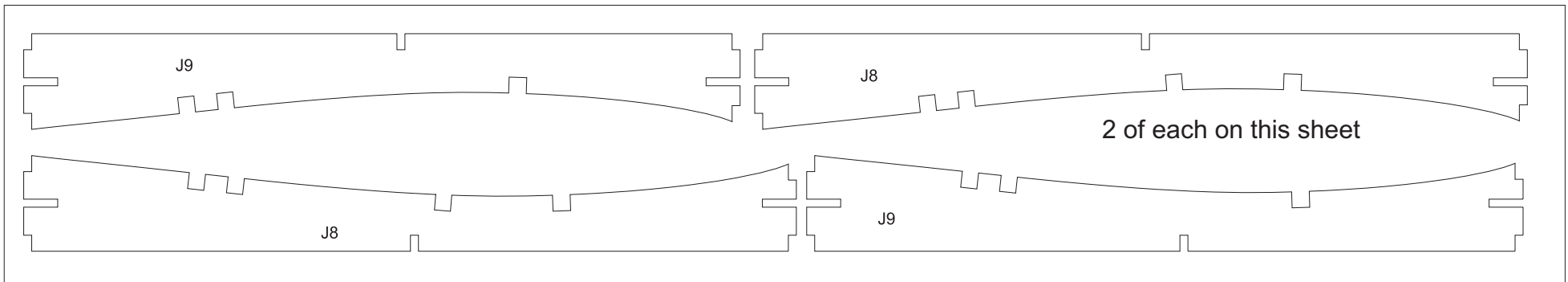
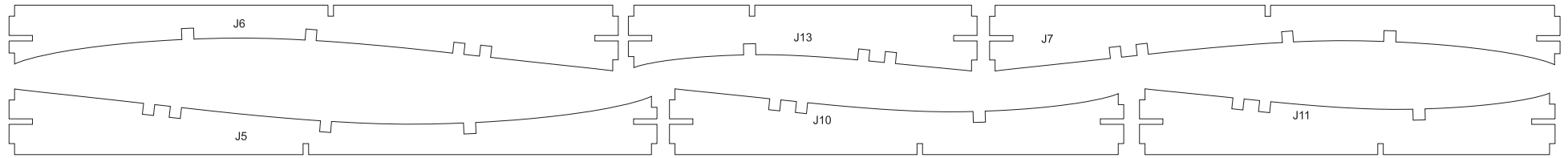
Designed by Dave Snow (rcparts@att.net)

Sold by www.eurekaaircraft.com

2 of each part included.



NOT TO SCALE

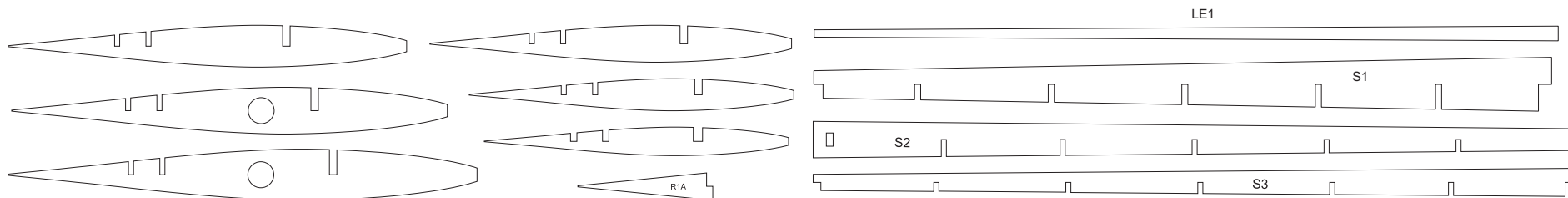


Lightning Built Up Stab + Jig Parts sheet layout

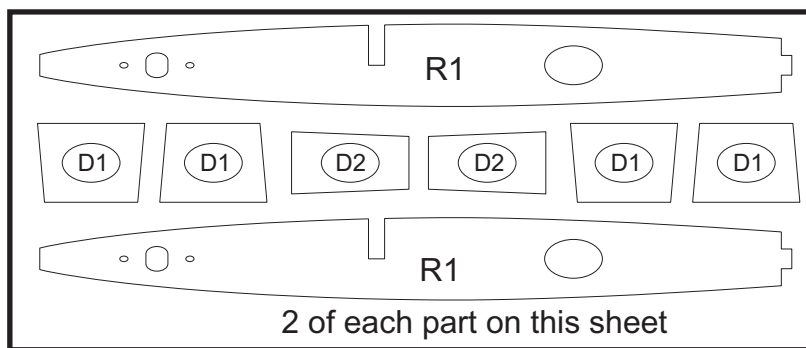
Designed by Dave Snow (rcparts@att.net)

Sold by www.eurekaaircraft.com

2 of each part included.



Wing Parts



NOT TO SCALE

Jig Parts

